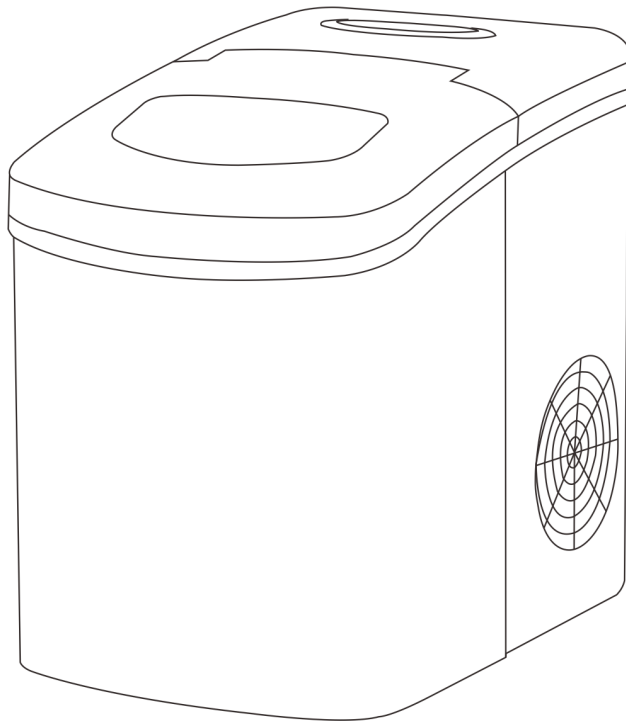




MAXIMA

ICE MAKER

09100500 / 09100505



USER MANUAL

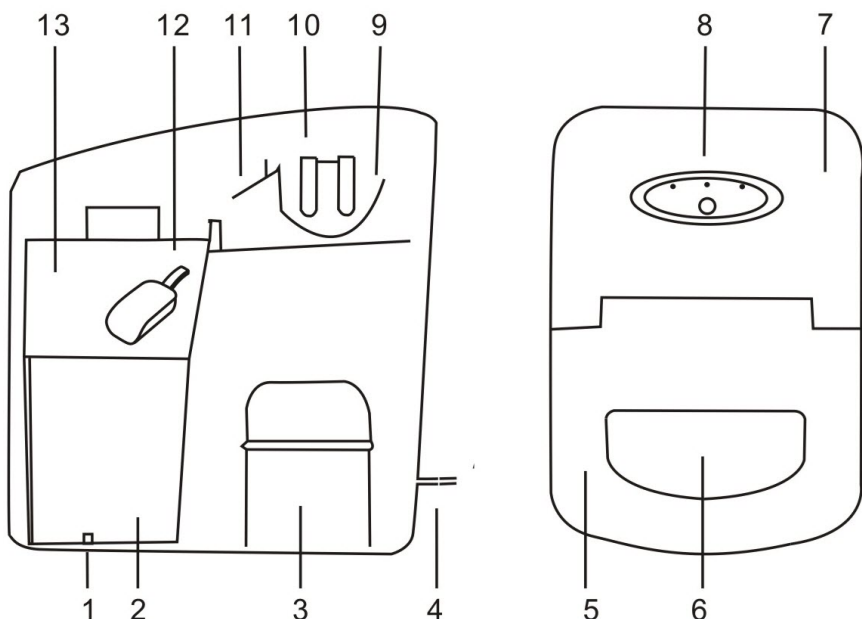


BEFORE USING THIS PRODUCT YOU SHOULD READ THIS USER MANUAL PROPERLY



Description

1. Silicon stopper
2. Water tank
3. Compressor
4. Plug and power cord
5. Front lid
6. View window
7. Back front cover
8. Control Panel
9. Water tray
10. Evaporator
11. Ice shovel
12. Scoop*
13. Ice basket



*Please find it in the package for manual

Specifications

Daily Ice Output:	10kg / 24 hours
Ice Storage Capacity:	600 g
Compressor High efficiency CFC free:	R600a
Water Reservoir Capacity :	1.7 Litres
Dimensions(W*D*H):	242*358*328mm
Voltage:	AC 220-240V/50Hz
Power cord:	3 pins earthed plug. (to reduce risk of electric shock)

Function

- Instant making ice
- Ice full alarming, deficient water alarming
- Crystalline ice bullet warhead
- 9pcs of ice cube in per cycle in 6-12minutes

Before/First Use of Your Ice Maker

1. During transportation, the incline angle of the cabinet should not be over 45°. Do not turn the Ice maker upside down. As this may damage the compressor and sealed system.
2. Remove all packing material and carefully check your ice maker to ensure it is in good condition and that there is no damage to the ice maker or power cord and plug.
3. The Ice maker should be placed horizontally on a level surface. To ensure proper ventilation for your Ice maker allow 150mm of space at the top, the back and on each side. Do not install the Ice maker near an oven, radiator, or any other heat source.
4. Before using the Ice maker for the first time, please wait 2 hours after positioning it, and keep the front lid open for at least 2 hours
5. Ensure that the voltage indicated on the ice maker corresponds with the voltage in your home.
6. Pure water is not allowed to be used on this unit, spring water is recommended.
7. Make sure the silicon stopper is well inserted

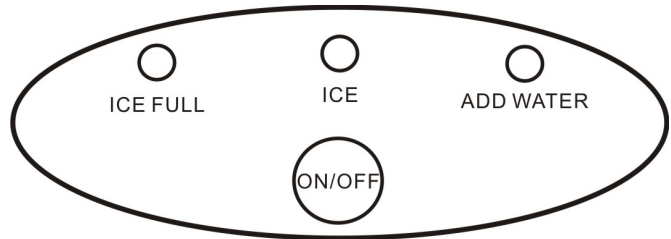


Control Panel Operation

ON/OFF: Press it to turn unit on or off.

ADD WATER: This light will come on with a long noise 'DI' noise. You will need to add water and press the '**ON/OFF**' button to restart the Ice maker.

ICE FULL: This light will come on with a 'DI, DI' noise when the ice has reached the maximum capacity of the storage cabinet. Press ON/OFF button to restart the Ice maker aftersome of the ice has been taken away.



Operating Instructions

Step 1: Open the lid and fill the water reservoir with water.

Note: Make sure the water level in the water reservoir is not over the Ice collecting tray.

Step 2: Connect to the power.

Step 3: Press ON/OFF button to turn unit on. The ice maker begins to work.

Note: For the first three cycles, the ice may be small and irregular in size.

Step 4: If indicator ADD WATER is red with 'DI' noise, then take out the basket, then add water as per step 1, then press ON/OFF to restart the ice maker

Note: If no water is pumped up to the water tray over two cycles but the water in water tank is enough, then please move the unit ahead a little, then remove the silicon stopper, and let several drops water runs out.

Step 6: If indicator ICE FULL is in red with 'DI DI' noise, please take out the ice with the scoop.

Note: When the ice collecting tray is full please remove the ice immediately, Do not allow the ice collecting tray to overflow.

Step 7: Press ON/OFF button to stop the machine.



Caring

1. Clean the inner liner, ice collecting tray, water box, ice shovel and evaporator frequently. When cleaning, unplug the unit and remove the ice cubes. Use a diluted solution of water and vinegar to clean the inside and the outside surface of the Ice maker. Do not spray Ice maker with chemicals or diluted agents such as acids, gasoline or oil. Rinse thoroughly before starting.
2. Keep ventilation openings in the appliance enclosure, or in the built-in structure, clear of obstruction. Do not use mechanical devices or other means to accelerate the defrosting process, other than those recommended by the manufacturer.
3. If the icemaker is reused after a long time, the water pump may not pump sufficient water due to an air block, the deficient water indicator turns on in this case. To correct this press the ON/OFF button again, then the icemaker will work normally.
4. To ensure the cleanliness of the ice cubes, water in the water reservoir should be replaced every 24 hours.
5. If the compressor stops for any reason such as water shortage, too much Ice, power off, etc... Do not start the system right away, wait 3 minutes, and then re-start the Ice maker.
6. Always use fresh water before starting ice production either at initial installation or after a long shut-off period.
7. Auto clean function, if the unit is not used for a long time, before the use, you can plug the unit first, and then press the button "ON/OFF" button for 5 seconds, the unit will clean itself (all indicators illuminate every 5 seconds, pump take water for 5 times, each time 30 seconds).

Troubleshooting

1. Please note, if a power failure occurs due to disconnection of the power cord, or the off power button has been pushed off during an ice making cycle, small ice chips may formed and lodge in the automatic shovel causing it to jam. If this occurs, the ice chips may be removed by disconnecting the power cord and gently pushing the shovel to the rear of the cabinet and removing the ice chips, then restarting.
2. Please restart the ice maker by **pressing ON/OFF**. If the Ice shovel does not push the Ice into the Ice collector after the formed Ice drops from the evaporator finger **while at the same time the ICE light is on**, check to see if the water tray is horizontal or balanced. If not then adjust by pressing the Ice shovel lightly with your finger. Then re-start the Ice maker.



Problem	Possible Cause	Suggested Solutions
The compressor works abnormally with a Buzzing noise	The voltage is lower than recommended	Stop the Ice maker and do not restart until the voltage is normal.
Water shortage indicator light is on	1. There is no water 2. The pump is full of air	1. Press the ON/OFF button , fill with water, wait 3 minutes and press the start button to restart. When the water has reached the fill line the ice maker will restart automatically. 2. Remove the silicon stopper and let several drops water runs out.
Indicator lights on display are not on	Blown fuse/ No power	Replace fuse / Turn power on
The Ice made is too large and with pieces sticking together.	1. Ice of previous cycles left in the water tray 2. The evaporator is too low	1. Stop the unit right away, restart the unit till the ice in water tray melt down 2. Shift the evaporator a little.
Conditions for Ice making Cycle are right but no ice is made.	A. There is no refrigerant in the compressor B. Compressor is broken down Fan motor is broken	call for service
The lights of ice full and deficient come at in the same time.	Water tray is blocked by ice cube	Clear the ice cube under the ice shovel pull out the plug and insert It again then press the "ON/OFF" button, two minutes later the machine will restart automatically
Machine keeps running, but the water is warmer than the normal water	The magnetic valve is broken	Replace the magnetic valve
Water leakage at front bottom of the unit	The silicon stopper is not well inserted	Please insert the silicon stopper well



WARNING

If the power cord is damaged; it must be replaced by the manufacturer, its service agent or a similarly qualified person in order to avoid a hazard. Fill with potable water only.

It is normal for the compressor and condenser surface to reach temperatures between 70°C and 90°C during operation and surrounding areas may be very hot. Due to fast freezing, ice cubes may appear "Cloudy". This is air trapped in the water and will not affect quality or taste of ice.

This appliance can be used by children aged from 8 years and above and persons with reduced physical, sensory or mental capabilities or lack of experience and knowledge if they have been given supervision or instruction concerning use of the appliance in a safe way and understand the hazards involved. Children shall not play with the appliance.

Cleaning and user maintenance shall not be made by children without supervision
Do not immerse in water

Correct Disposal of this product



This marking indicates that this product should not be disposed with other household wastes throughout the EU. To prevent possible harm to the environment or human health from uncontrolled waste disposal, recycle it responsibly to promote the sustainable reuse of material resources.