

MAXIMA

AUTOMATIC JUICER



USER MANUAL

BEFORE USING THIS PRODUCT YOU SHOULD READ THIS USER MANUAL PROPERLY





ENGLISH

Introduction

Thank you for purchasing this Maxima product. In order to obtain the maximum benefit and safe use of this product, please read these instructions completely before attempting to install or use this product.

Your new Maxima product is manufactured with advanced production techniques. Every product is inspected before shipment and tested to ensure operator safety and product quality. All parameters have reached or exceeded the national standard.

The Maxima Automatic Juicer series consists of commercial grade juicers, available in several sizes and specifications. The machines are low maintenance, safe and easy to use.

At Maxima we are very proud of our products and are completely committed to providing you with the best products and service possible. Your satisfaction is our number one priority.

We know you will enjoy using this product and Thank You for choosing our product. We hope you consider Maxima for your future equipment purchases.

Specifications

Name	MAXIMA Automatic Juicer		
Model	MAJ26 X	MAJ50 X	MAJ80 X
Product Code	09360000	09360020	09360040
Power Input	220V / 120W	220V / 120W	220V / 370W
Dimensions (mm)	W400xD300xH770	W580xD530xH980	W660xD640xH1720
Weight	45 kg	62 kg	100 kg
Recommended Orange Size	40-90 mm	40-90 mm	40-90 mm
Features	<ul style="list-style-type: none">▪ Self-Service Tap: No▪ Automatic Feeder: No▪ Unit Counter: No	<ul style="list-style-type: none">▪ Self-Service Tap: Yes▪ Automatic Feeder: Yes▪ Unit Counter: Yes	<ul style="list-style-type: none">▪ Self-Service Tap: Yes▪ Automatic Feeder: Yes▪ Unit Counter: Yes



Safety Regulations

This machine may only be used for the purpose for which it was intended and designed. The manufacturer is not liable for any damage caused by incorrect operation and improper use.

This machine may only be used for its intended purpose: **Extracting juice from citrus fruit.**

- Keep the machine and electrical plug away from water and any other liquids. In the unlikely event that the machine should fall into water, immediately pull the plug out of the socket and have the machine checked by a certified technician. Not following these instructions may cause life-threatening situations.
- The device is to be used indoors only.
- Do not move the appliance while operational.
- Do not cover or place objects on top of the appliance when its operating.
- Never try to open the casing of the machine yourself.
- Do not insert any objects in the casing or openings of the machine.
- Do not touch the power plug with wet or damp hands.
- Do not use the machine after it has fallen or is damaged in any other way. Have it checked and repaired by a certified engineer.
- **WARNING!** Do not try to repair the machine yourself. This may cause life-threatening situations.
- Make sure the power cable does not come in contact with sharp or hot objects and keep it away from open fire. To pull the plug out of the socket, always pull on the plug and not on the cable.
- Keep the power cable away from operating range. Do not lay over carpets or heat insulation and do not cover the cable.
- Always keep an eye on the machine when in use.
- Never put your hands near the moving parts of the machine.
- Never let children use professional machines without supervision.
- Always pull the power plug out of the socket when the machine is not being used.
- **ATTENTION!** As long as the power plug is in the socket the machine is connected to the power source.
- Keep all packaging away from children. Dispose of packaging in accordance to the regulations of local authorities.
- Turn off the machine before pulling the power plug out of the socket.
- Never try to move or carry the machine by the power cord.
- Do not use any extra devices that are not supplied along with the machine.
- Avoid overloading the machine.



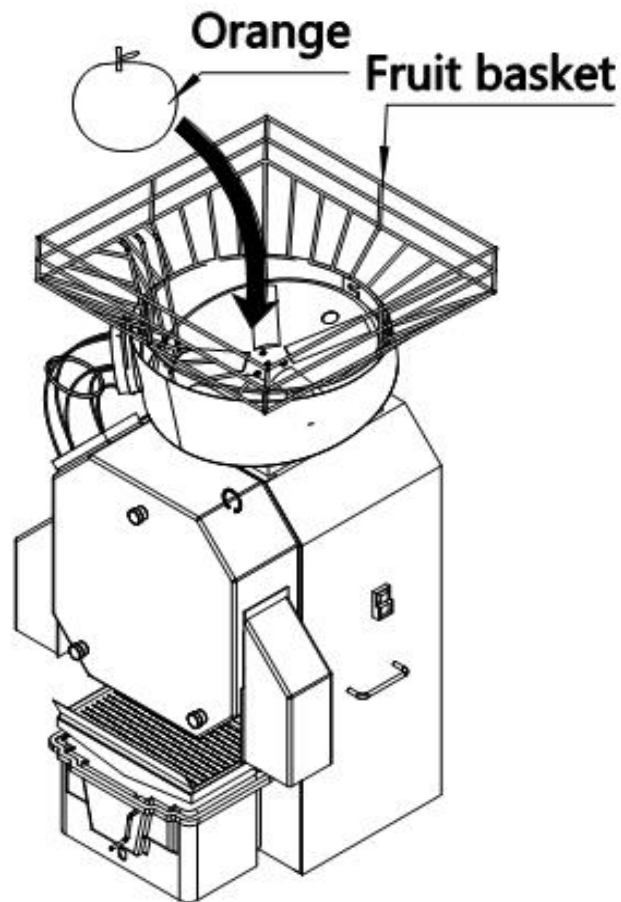
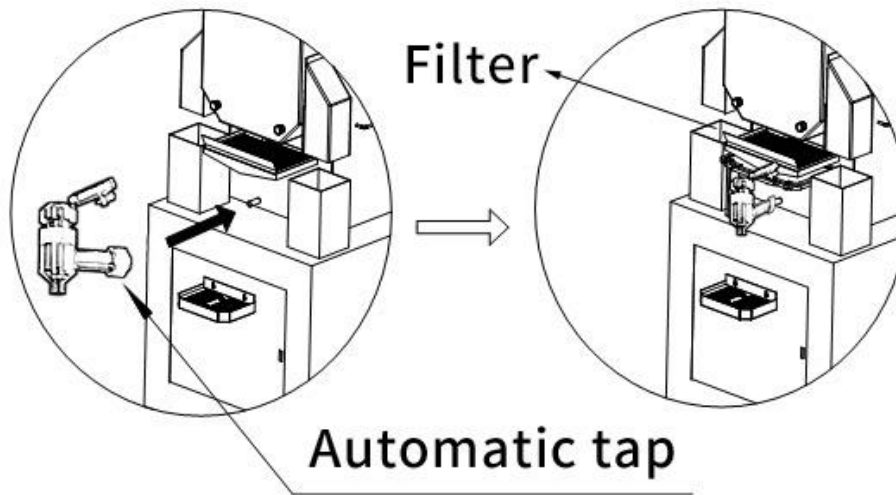
- Do not place the machine on its side, upside-down or tilt the appliance more than 45° from the vertical. Also while the appliance is being transported.
- The electrical installation must satisfy the applicable national and local regulations.

First Time Use

- Unpack and inspect your machine immediately after receipt. If there are any latent defects or damage to the machine then immediately contact your dealer. Save all packaging materials in case the machine needs to be returned or for inspection by the freight carrier.
- Remove any protective film from all surfaces.
- Read this instruction manual completely before attempting to install and operate this product. All installations and set ups must be done by authorized service agents, your dealer, or Maxima representatives.
- If your machine is supplied with a factory fitted molded plug then you may plug the unit into a standard electrical outlet. Make sure that the voltage of the machine and the wall outlet are compatible. If your machine is not supplied with a factory fitted molded plug then a qualified electrical engineer must be contracted to wire the unit to the power supply.
- Before using your appliance for the first time it is recommended to clean the appliance according to instructions mentioned in chapter "*Cleaning and Maintenance*".

Installation

1. The machine must be positioned on a flat and stable surface.
2. Choose a surface where the machine is not exposed to direct sunlight, or close to a direct source of heat such as a cooker, oven or radiator.
3. When positioning the appliance, maintain a distance of 10cm (4 inches) between the appliance and walls or other objects for ventilation and ease of use.
4. Level the appliance using the adjustable feet and position the machine in such a way that the plug is accessible at all times. The appliance may operate less effectively if not level.
5. Mount the tap, place the filter tray in position and the waste bins on either side.
6. Plug the power plug into the main socket.



Operation

- Check if all parts are installed properly.
- Fill the top basket with oranges.
- Place the desired quantity of oranges on the guide rail switch (MAJ26 X only).
- Place a container on the platform to collect the juice.
- Power on the appliance by using the “ON/OFF” switch located on the side.
- When the tap is opened the machine will automatically feed oranges into the machine and start operation. The machine will stop automatically when the tap is closed (MAJ50 X & MAJ80 X).
- **ATTENTION!** Do not power off the machine with oranges still inside or during operation. Only do so when the last orange has been discarded from the squeezing assembly.
- MAJ50 X & MAJ80 X are fitted with a unit counter. This will count the amount of oranges processed. The counter is reset every time the machine is switched off.
- After use switch off the machine and remove the plug from the main socket.
- Finally, clean the appliance according to instructions (see chapter “*Cleaning and Maintenance*”).

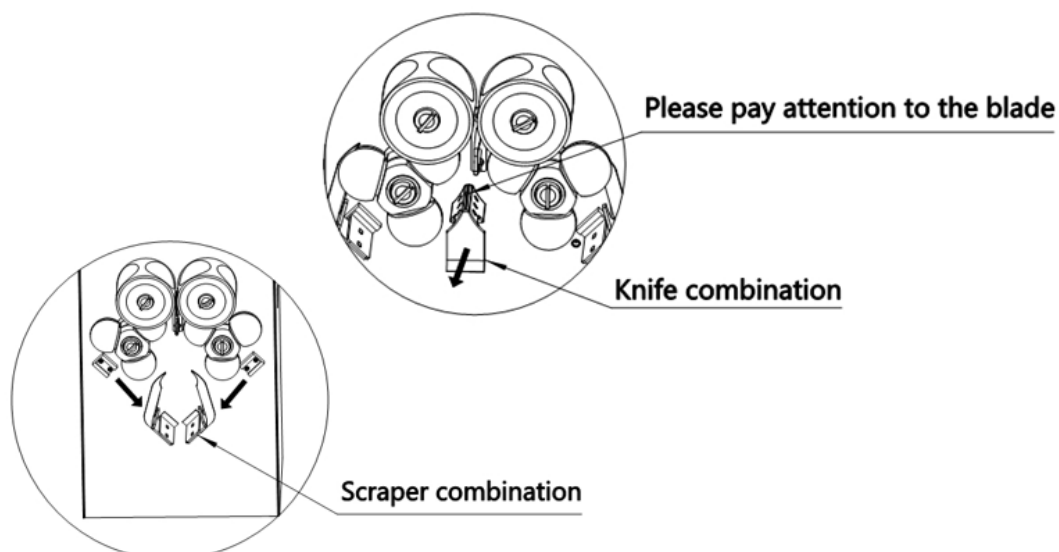
Troubleshooting

The follow overview will help you understand the control panel and possible problems. However, only qualified engineers should attempt to open or repair the machine. Contact your supplier when in doubt.

Problem	Possible Cause	Possible Solution
The appliance does not work.	<ul style="list-style-type: none"> ▪ The appliance is switched off. ▪ The power supply is interrupted. ▪ The voltage is not correct. ▪ The front safety cover is not mounted correctly. 	<ul style="list-style-type: none"> ➤ Switch on the appliance. ➤ Check the power supply, plug in power cable. ➤ Use a compatible power source. ➤ Check safety cover.
Fruit skins are not discarded properly.	<ul style="list-style-type: none"> ▪ The peelers are not positioned correctly. 	<ul style="list-style-type: none"> ➤ Adjust peeler position on bracket.
Machine jams frequently	<ul style="list-style-type: none"> ▪ Incorrect size fruit. 	<ul style="list-style-type: none"> ➤ Fruit should be between 40-90 mm in diameter.

Cleaning and Maintenance

- Maintenance and repairs should only be done by certified engineers.
- Regularly check and clean the appliance, its parts and accessories (if applicable).
- Regularly check the power plug and power cable for damage. If either is damaged do not use the appliance. Instead, have it repaired by a certified electrical engineer.
- Always switch off and disconnect the power supply before cleaning or maintenance.
- **ATTENTION!** Never use aggressive cleaning agents or abrasives. Do not use solvents or petrol based cleaning agents. Some cleaning agents may leave harmful residues or cause damage to the machine.
- **ATTENTION!** Do not use any scourer and sharp or pointed objects during cleaning, this may cause damage to the machine.
- **ATTENTION!** Never hose down the machine or immerse it in water or any other liquid, instead wipe the exterior with a damp cloth. Do not use a steamer to clean the appliance
- To gain access to the squeezing & cutting assembly remove the transparent plastic front cover, by first undoing the orange screws located on the side.
- Slide both peelers out of their bracket (be carefull not to damage the peelers or squeezing assembly).
- Undo the center screw and remove the squeezing assembly.
- Finally remove the knife which is also located in the center (handle the knife with care, sharp edge may cause harm).
- Clean the parts using warm water and a mild food safe detergent (do not clean in dishwasher). Whipe down the machine with a damp cloth and always dry the appliance and accessories after cleaning, using a soft cloth.
- Reassemble the squeezing and cutting assembly and mount the front cover back in position.
- **ATTENTION!** Never let the power cable or power plug get wet or damp.





Storage

- Make sure the appliance is cleaned properly before storage.
- Coil up the power cord and put it away.
- Store in a cool and dry place.

Discarding

When discarding the appliance, do so in compliance with the rules and regulations of local authorities.

Guarantee

Thank you for using our products, our company will follow related provisions from our "Algemene Voorwaarden", and provide you services when you can show us the invoice.

We provide 12-month warranty from the date of purchase (invoice date). In the warranty period, our company is responsible for free parts if there is a device fault or quality problem of spare parts under correct operation.

The following is not included in the free service:

1. Damages result from transportation, installation, improper connections.
2. Component damages caused by failing to provide power and voltage as required in technical data.
3. Damages caused by disassembling products, adjust or change the mechanical and electrical structures without permission.
4. Damage caused by improper operation, cleaning and maintenance.
5. Non-man-made damage, such as damages from abnormal voltage, fire, building collapse, lightning, floods and other natural disasters, and damages from rats and other pests.
6. Failure in following the manual when operating.
7. Wearable and expendable parts.
8. Altered invoice or without invoice.

In line with our policy of continuous development, we reserve the right to alter the product, the packaging or the documentation without prior notice.